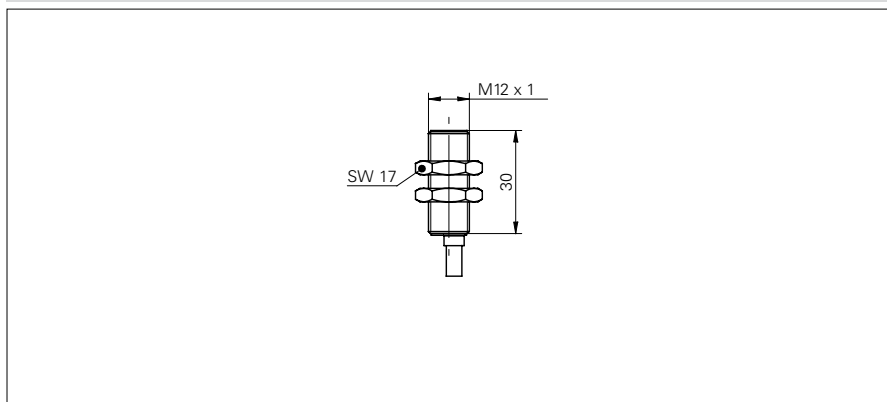


## Inductive sensors special versions

## IFRM 12

## sample drawing



## general data

mounting type	shielded
special type	high temperature
nominal sensing distance $S_n$	4 mm
hysteresis	3 ... 20 % of $S_r$

## electrical data

switching frequency	< 2 kHz
voltage supply range +Vs	12 ... 30 VDC
current consumption max.	12 mA
voltage drop Vd	< 3 VDC
output current	< 100 mA
short circuit protection	yes
reverse polarity protection	yes

## mechanical data

type	cylindrical threaded
housing material	brass nickel plated
dimension	12 mm
housing length	40 mm
connection types	cable Teflon, 1 m

## ambient conditions

operating temperature	-25 ... +100 °C
protection class	IP 67

## order reference

<b>IFRM 12N1707</b>	NPN make function (NO)
<b>IFRM 12P1707</b>	PNP make function (NO)

## output circuit

## sample picture

